

SUBMITTAL SHEET

JOB NAME	ITEM TAG
JOB LOCATION	PART NUMBER
CONTRACTOR	DATE
ENGINEER APPROVAL	DATE

QUARTER TURN ANTI-SIPHON FROST FREE SILLCOCK

T-550, T-550P and T-550CPVC

Patented Softouch, rubber-clad handwheel.

Quarter-turn operation.

Dual ceramic discs offer durable, positive shut-off.

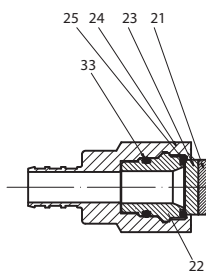
Oversized, angled mounting flange with screw slots - covers enlarged, over-drilled sill holes.

Industry leading flow: 10 GPM at 50 p.s.i.

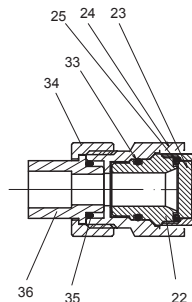
- A.S.S.E. 1019, Type A Device
- cUPC / IAPMO Approved
- End connections comply with the following specifications:
 - ANSI / ASME B1.20.1 (MNPT and FNPT)
 - ANSI / ASME B16.18 (CTS solder)
 - ASTM F1807 (PEX barb)
 - ASTM D2846 (CPVC)
 - ANSI / ASME B1.20.7 (male garden hose outlet)



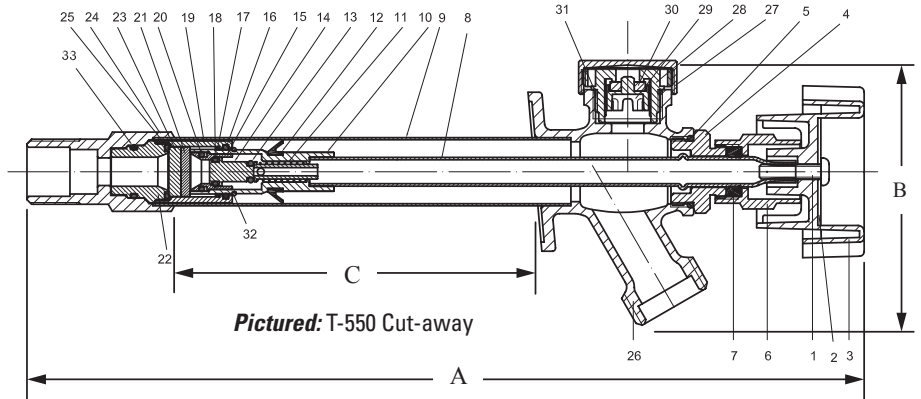
**Pictured:
T-550**



**Pictured:
PEX End
Connection**



**Pictured:
CPVC End
Connection**



Pictured: T-550 Cut-away

WARNING: Hose must be removed in order to prevent freezing or warranty will be null & void!

MATERIAL SPECIFICATION

PART	MATERIAL	SPECIFICATION
1	Handle screw	Brass JIS C2600
1	Handle screw	Brass JIS C2600
2	Identification plate	Aluminum
3	Handwheel	Aluminum & TPR
4	Bonnet nut	Forged Brass, chrome plated ASTM B16 UNS C36000
5	Bonnet nut O-ring	NBR (Nitrile Rubber) Commercial grade
6	Packing nut	Forged Brass, chrome plated ASTM B16 UNS C36000
7	Stem packing	NBR (Nitrile Rubber) Commercial grade
8	Stem	Brass ASTM C27000
9	Outer Tube	Brass ASTM C27000
10	Cartridge Stem	Forged Brass, chrome plated ASTM B16 UNS C36000
11	Spring	Stainless Steel AISI 304
12	Cup Washer	NBR (Nitrile Rubber) Commercial grade
13	O-Ring	EPDM Commercial grade
14	Check Valve Piston	Forged Brass ASTM B16 UNS C36000
15	Spacer	Forged Brass ASTM B16 UNS C36000
16	O-Ring	Fluoroelastomer Dupont Viton
17	Cartridge Packing	PTFE Dupont Teflon
18	O-Ring	EPDM Commercial grade
19	Cartridge body	Brass ASTM B16 UNS C36000
20	Spacer O-ring	EPDM Commercial grade
21	Ceramic Disk	Ceramic Commercial grade
22	Cartridge End	Forged Brass ASTM B16 UNS C36000
23	Ceramic Disk	Ceramic Commercial grade

MATERIAL SPECIFICATION

PART	MATERIAL	SPECIFICATION
24	End Adapter	Forged Brass, chrome plated ASTM B16 UNS C36000
25	O-Ring	EPDM Commercial grade
26	Exterior body	Brass, chrome plated ASTM B584 UNS C85700
27	Vacuum breaker cap	Forged Brass, chrome plated ASTM B16 UNS C36000
28	Vacuum breaker body	POM COPOLYMER 090
29	Vacuum breaker disk	POM COPOLYMER 090
30	Vacuum breaker seat	NBR (Nitrile Rubber) Commercial grade
31	Vacuum breaker O-ring	NBR (Nitrile Rubber) Commercial grade
32	Retaining Clip	Stainless steel AISI 304
33	O-ring	Fluoroelastomer Dupont Viton
34	Adapter lock-ring	Forged Brass, chrome-plated ASTM B16 UNS C36000
35	Adapter O-ring	NBR (Nitrile Rubber) Commercial grade
36	Socket adapter	Virgin CPVC resin ASTM D1784

*denotes PEX or CPVC solvent-weld inlet connection

DIMENSIONS

Size	A	B	C Nominal Length
8"	13.77	3.49	7.67
10"	15.81	3.49	9.67
12"	17.81	3.49	11.67
14"	19.81	3.49	13.67

SUBMITTAL SHEET

JOB NAME _____ ITEM TAG _____

JOB LOCATION _____ PART NUMBER _____

CONTRACTOR _____ DATE _____

ENGINEER APPROVAL _____ DATE _____

LEAD-FREE QUARTER TURN ANTI-SIPHON FROST FREE SILLCOCK T-550NL and T-550PNL

Lead-free design is suitable for all no-lead potable water installations, in full compliance of all lead-free plumbing laws.

Patented Softouch, rubber-clad handwheel is easy to operate with wet or gloved hands.

Quarter-turn operation.

Dual ceramic discs offer durable, positive shut-off.

Oversized, angled mounting flange with screw slots - covers enlarged, over-drilled sill holes.

Industry leading flow: 10 GPM at 50 p.s.i.

- Third-party tested and certified in compliance with U.S. Federal Public Law 111-380 (National lead-free plumbing law).
- A.S.S.E 1019 Certified, Type A device.
- Certified to NSF/ANSI Standard 61-G.
- cUPC / IAPMO Approved
- End connections comply with the following specifications:
ANSI / ASME B1.20.1 (MNPT and FNPT)
ANSI / ASME B16.18 (CTS solder)
ASTM F1807 (PEX barb)
ANSI / ASME B1.20.7 (male garden hose outlet)



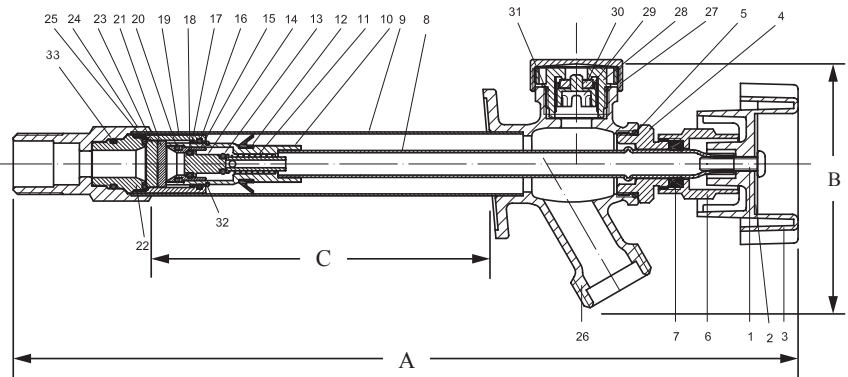
MATERIAL SPECIFICATION

PART	MATERIAL	SPECIFICATION
1 Handle screw	Forged brass	UNS Alloy C26000
2 Identification plate	Aluminum	Commercial grade
3 Handwheel	Aluminum & TPR rubber	
4 Bonnet nut	Lead-free forged brass, chrome plated	UNS Alloy C46400
5 Bonnet nut O-ring	NBR (Nitrile) Rubber	Commercial grade
6 Packing nut	Forged brass	UNS Alloy C36000
7 Stem packing	NBR (Nitrile) Rubber	Commercial grade
8 Stem	Lead-free brass	UNS Alloy C27000
9 Outer Tube	Lead-free brass	UNS Alloy C27000
10 Cartridge Stem	Lead-free forged brass	UNS Alloy C27000
11 Spring	Stainless Steel	UNS Alloy C27000
12 Cup Washer	NBR (Nitrile) Rubber	Commercial grade
13 O-Ring	EPDM Rubber	Commercial grade
14 Check Valve Piston	Lead-free forged brass	UNS Alloy C46400
15 Spacer	Lead-free forged brass	UNS Alloy C46400
16 O-Ring	Fluoroelastomer Rubber	Viton*
17 Cartridge Packing	PTFE	Teflon*
18 O-Ring	EPDM Rubber	Commercial grade
19 Cartridge Body	Lead-free brass	UNS Alloy C46400
20 Spacer O-Ring	EPDM Rubber	Commercial grade
21 Ceramic Disk	Ceramic	Commercial grade
22 Cartridge End	Lead-free forged brass	UNS Alloy C46400
23 Ceramic Disk	Ceramic	Commercial grade
24 End Adapter	Lead-free forged brass, chrome plated	UNS Alloy C46400
25 O-Ring	EPDM Rubber	Commercial grade
26 Exterior body	Lead-free brass, chrome plated	UNS Alloy C6802
27 Vacuum breaker cap	Forged Brass	UNS Alloy C36000
28 Vacuum breaker body	POM	COPOLYMER 090
29 Vacuum breaker disk	POM	COPOLYMER 090
30 Vacuum breaker seat	NBR (Nitrile) Rubber	Commercial grade
31 Vacuum breaker O-ring	NBR (Nitrile) Rubber	Commercial grade
32 Retaining Clip	Stainless Steel	AISI Grade 304
33 O-ring	Fluoroelastomer Rubber	Viton*

* Teflon & Viton are registered trademarks of DuPont.

DIMENSIONS

Size	A	B	C Nominal Length
8"	13.75	3.40	7.67
10"	15.75	3.40	9.67
12"	17.75	3.40	11.67
14"	19.75	3.40	13.67



WARNING: Hose must be removed in order to prevent freezing or warranty will be null & void!

**Pictured:
Model T-550NL
Cut-away**

